



Marine Product Catalog





Barnegat Light[®] marine products

10 W. College Ave., P.O. Box 337, Yardley, PA 19067

www.BarnegatLt.com
Phone: 215/493-2777
or TOLL FREE 866-493-2777
FAX: 215/493-1401
or TOLL FREE FAX: 866-493-1401

**MODEL
QL-MHL-CH**

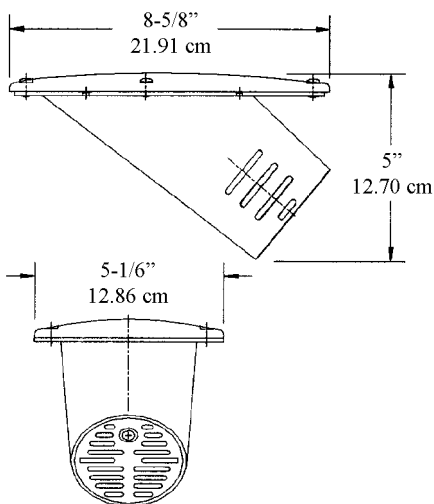


**CHROME
MINI-HULL
LIGHT**

**12 VOLT
ONLY**

Smaller version of our popular QL-32 Hull Light. Sleek and elegant, enhancing the appearance of any size boat. Ideal for bass boats.

- Illumination up to 42,000 candle power
- 21° horizontal spread of light from 55 watt halogen bulb
- Housing of UV stabilized polycarbonate
- Chrome plated bezel with lens
- Easy bulb replacement; can be done from inside or outside the boat
- Low power consumption (4.3 amps) with a bulb output of 1450 lumens
- Specially designed reflector to increase candle power - reflector fastened to housing (no springs)



MODEL NO.	DESCRIPTION	WT./PAIR IN LBS.
QL-MHL-CH	Complete mini-hull light assemblies (2) - chrome	4.0
QL-MHL-CH-DP	Complete light assembly (2) - chrome in display packaging	4.3



Barnegat Light[®] marine products

10 W. College Ave., P.O. Box 337, Yardley, PA 19067

www.BarnegatLt.com
 Phone: 215/493-2777
 or TOLL FREE 866-493-2777
 FAX: 215/493-1401
 or TOLL FREE FAX: 866-493-1401

**MODEL
 QL-MHL**

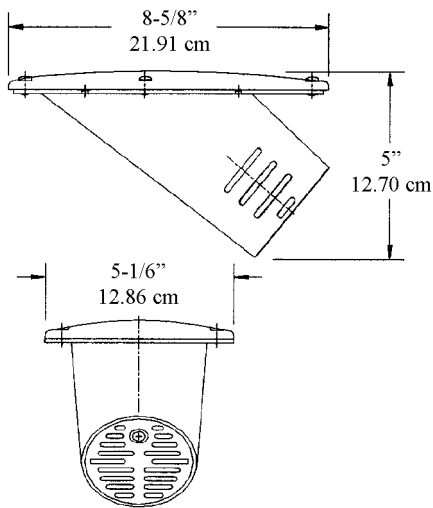


**MINI-HULL
 LIGHT**

**12 VOLT
 ONLY**

Smaller version of our popular QL-32 Hull Light. Sleek and elegant, enhancing the appearance of any size boat. Ideal for bass boats.

- Illumination up to 42,000 candle power
- 21° horizontal spread of light from 55 watt halogen bulb
- Easy bulb replacement; can be done from inside or outside the boat
- Housing of UV stabilized polycarbonate
- Low power consumption (4.3 amps) with a bulb output of 1450 lumens
- Specially designed reflector to increase candle power - reflector fastened to housing (no springs)



MODEL NO.	DESCRIPTION	WT./PAIR IN LBS.
QL-MHL	Complete mini-hull light assemblies (2)	4.0
QL-MHL-DP	Complete light assembly (2) in display packaging	4.3



Barnegat Light[®] marine products

10 W. College Ave., P.O. Box 337, Yardley, PA 19067

www.BarnegatLt.com
 Phone: 215/493-2777
 or TOLL FREE 866-493-2777
 FAX: 215/493-1401
 or TOLL FREE FAX: 866-493-1401

**MODEL
 QL-3294**

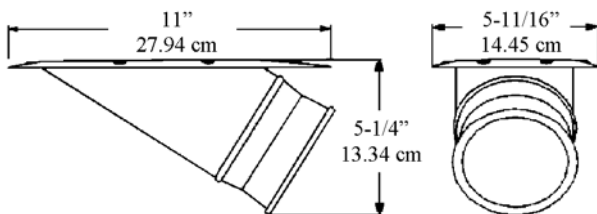


**HULL LIGHT
 WHITE**

**12 OR 24
 VOLT**

Available with or without molded-in polycarbonate lens. For boats having a more pronounced bow flare.

- Illumination up to 100,000 candle power
- Beam projects below deck line to eliminate glare
- Easy bulb replacement; can be done from inside the boat
- 50 watt halogen sealed beam
- Made from all corrosion-proof materials
- Greatly enhances the appearance of boat
- Lens cover, made of high impact UV stabilized polycarbonate material, reduces drag and fuel consumption
- Power consumption: 12V = 3.91 amps
 24V = 2.08 amps



MODEL NO.	DESCRIPTION	WT./PAIR IN LBS.
QL-3294-H7604	Complete assemblies (2), white housings, less lens, spot bulb, 7° wide, 5° high beam of light	6.35
QL-3294/L-H7604	Complete assemblies (2), white housings, with lens, spot bulb, 7° wide, 5° high beam of light	6.60
QL-3294-H7614	Complete assemblies (2), white housings, less lens, flood bulb, 70° wide, 30° high beam of light	6.35
QL-3294/L-H7614	Complete assemblies (2), white housing, with lens, flood bulb, 70° wide, 30° high beam of light	6.60
QL-3294-4502	Complete assemblies (2), white housing, less lens, 24v flood bulb, 40° wide, 5° high	6.35



Barnegat Light[®] marine products

10 W. College Ave., P.O. Box 337, Yardley, PA 19067

www.BarnegatLt.com
 Phone: 215/493-2777
 or TOLL FREE 866-493-2777
 FAX: 215/493-1401
 or TOLL FREE FAX: 866-493-1401

**MODEL
QLB-3294**

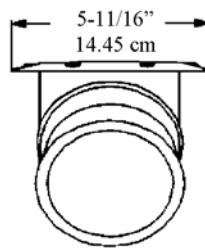
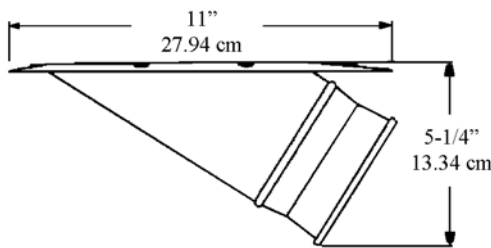


**HULL LIGHT
BLACK**

**12 OR 24
VOLT**

Re-engineered version of our popular QL-32 Hull Light. Available without the molded-in polycarbonate lens. Recommended for boats having a more pronounced bow flare.

- Illumination up to 100,000 candle power
- Beam projects below deck line to eliminate glare
- Easy bulb replacement; can be done from inside the boat
- Greatly enhances the appearance of boat
- Made from all corrosion-proof materials
- 50 watt halogen sealed beam
- Power consumption: 12V = 3.91 amps
24V = 2.08 amps



MODEL NO.	DESCRIPTION	WT./PAIR IN LBS.
QLB-3294-H7604	Complete assemblies (2), black housings, less lens, spot bulb, 7° wide, 5° high beam of light	6.35
QLB-3294-H7614	Complete assemblies (2), black housings, less lens, flood bulb, 70° wide, 30° high beam of light	6.35
QLB-3294-4502	Complete assemblies (2), black housings, less lens, 24 volt flood bulb 40° wide, 5° high beam of light	6.35



Barnegat Light[®] marine products

10 W. College Ave., P.O. Box 337, Yardley, PA 19067

www.BarnegatLt.com
 Phone: 215/493-2777
 or TOLL FREE 866-493-2777
 FAX: 215/493-1401
 or TOLL FREE FAX: 866-493-1401

**MODEL
 QL-32-SS**

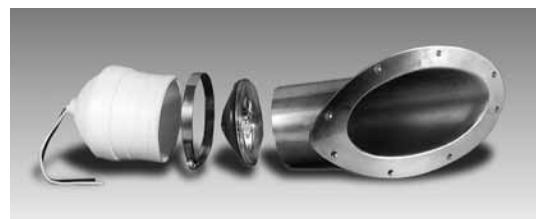
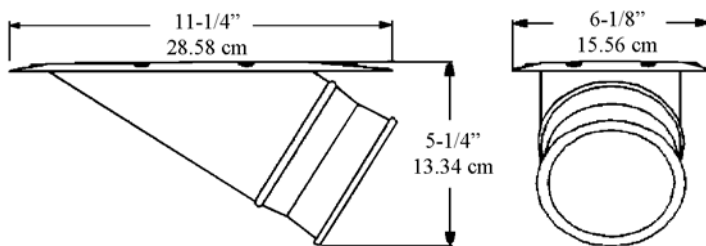


**HULL LIGHT
 STAINLESS STEEL
 HOUSING**

**12 OR 24
 VOLT**

Stainless steel version of our popular QL-32 Hull Light. For boats having a more pronounced bow flare. Use as an upgrade replacement from the plastic housing.

- Illumination up to 100,000 candle power
- Beam projects below deck line to eliminate glare
- Easy bulb replacement; can be done from inside the boat
- Greatly enhances the appearance of boat
- Made of 316 corrosion-resistant stainless steel
- 50 watt halogen sealed beam
- Power consumption: 12V = 3.91 amps
 24V = 2.08 amps



MODEL NO.	DESCRIPTION	WT./PAIR IN LBS.
QL-32-SS-H7604	Complete assemblies (2), stainless steel housings, less lens, spot bulb, 7° wide, 5° high beam of light	8.50
QL-32-SS-H7614	Complete assemblies (2), stainless steel housings, less lens, flood bulb, 70° wide, 30° high beam of light	8.50
QL-32-SS-4502	Complete assemblies (2), stainless steel housings, less lens, 24 volt flood bulb, 40° wide, 5° high beam of light	8.50



Barnegat Light[®] marine products

10 W. College Ave., P.O. Box 337, Yardley, PA 19067

www.BarnegatLt.com
 Phone: 215/493-2777
 or TOLL FREE 866-493-2777
 FAX: 215/493-1401
 or TOLL FREE FAX: 866-493-1401

MODEL

- QL-3294-LED
- QL-3294/L-LED
- QLB-3294-LED
- QL-32-SS-LED

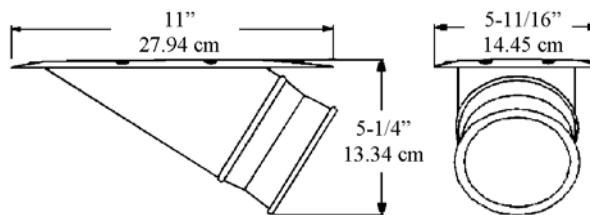


LED HULL LIGHT

9 TO 32 VOLT

Available with or without molded-in polycarbonate lens. For boats having a more pronounced bow flare.

- 18 watt cool white LED
- Illumination up to 1,800 lumens
- Beam projects below deck line to eliminate glare
- Easy bulb replacement; can be done from inside the boat
- 50,000+ hours bulb life
- Made from all corrosion-proof materials
- Greatly enhances the appearance of boat
- Lens cover, made of high impact UV stabilized polycarbonate material, reduces drag and fuel consumption
- Power consumption: 12V = 1.5 amps
24V = .75 amps



MODEL NO.	DESCRIPTION	WT./PAIR IN LBS.
QL-3294-LED	Complete assemblies (2), white housings, less lens, flood bulb, 60° wide beam of light	7.25
QL-3294/L-LED	Complete assemblies (2), white housings, with lens, flood bulb, 60° wide beam of light	7.50
QLB-3294-LED	Complete assemblies (2), black housings, less lens, flood bulb, 60° wide beam of light	7.25
QL-32-SS-LED	Complete assemblies (2), stainless steel housings, less lens, flood bulb, 60° wide beam of light	9.50



Barnegat Light[®] marine products

10 W. College Ave., P.O. Box 337, Yardley, PA 19067

www.BarnegatLt.com
 Phone: 215/493-2777
 or TOLL FREE 866-493-2777
 FAX: 215/493-1401
 or TOLL FREE FAX: 866-493-1401

**MODEL
 QL-60**

**Now Available
 in LED**



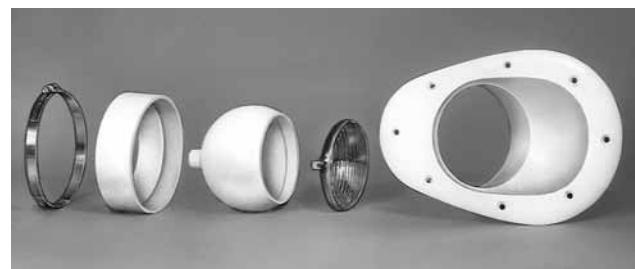
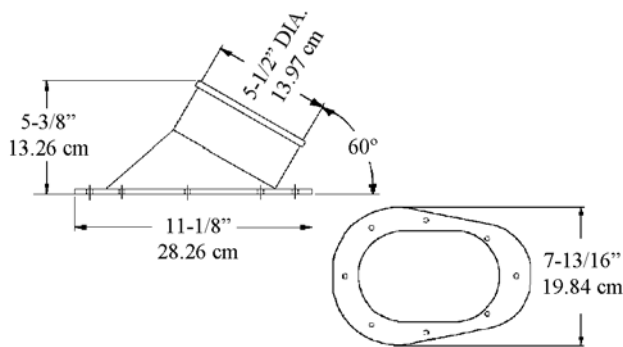
HULL LIGHT

**12 OR 24
 VOLT
 HALOGEN**

**9 TO 32
 VOLT
 LED**

Now there is no reason to head for shore when the sun goes down. The model QL-60 Hull Lights are designed for boats with a subtle flare in the bow - usually those with a hull 25' or longer, such as a cruiser or trawler. Bulbs in ball swivel for easy adjustment.

- Flood available for greater spread of light
- Beam projects below deckline to eliminate glare
- 50 watt halogen sealed beam or 18 watt cool white LED
- Made from all corrosion-proof materials
- Easy bulb replacement; can be done from inside the boat
- Greatly enhances appearance of boat
- Power consumption: 12V Halogen = 3.91 amps
 12V LED = 1.5 amps
 24V Halogen = 2.08 amps
 24V LED = .75 amps



MODEL NO.	DESCRIPTION	WT./PAIR IN LBS.
QL-60-H7604	Complete light assys (2), white hsngs, 12 v spot bulb, 7° W, 5° H beam of light	10.55
QL-60-H7614	Complete light assys (2), white hsngs, 12 v flood bulb, 70° W, 30° H beam of light	10.55
QL-60-4502	Complete light assys (2), white hsngs, 24 v flood bulb, 40° W, 5° H beam of light	10.55
QL-60-LED	Complete light assys (2), white hsngs, 9-32 v flood bulb, 60° W beam of light, 1,800 lumens	11.50



Barnegat Light[®] marine products

10 W. College Ave., P.O. Box 337, Yardley, PA 19067

www.BarnegatLt.com
 Phone: 215/493-2777
 or TOLL FREE 866-493-2777
 FAX: 215/493-1401
 or TOLL FREE FAX: 866-493-1401

**MODEL
 QL-FT**

*Now Available
 in LED*



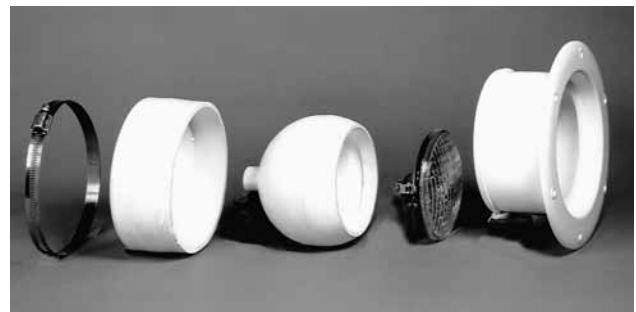
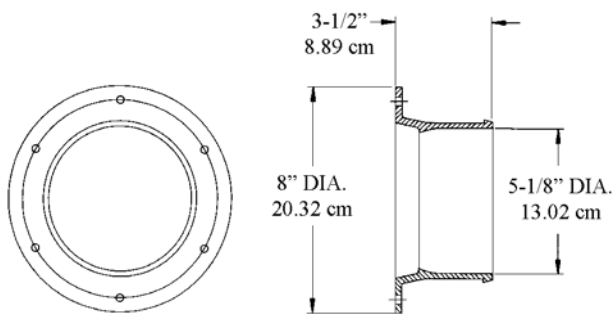
**TRANSOM
 LIGHT**

**12 OR 24
 VOLT
 HALOGEN**

**9 TO 32
 VOLT
 LED**

Make it easy to locate your docklines and spot debris in water. Barnegat's Transom Lights shine brilliantly, so you can dock without hitting pilings or piers.

- Lights are packaged fully assembled and ready for mounting
- Bulbs in ball swivel for easy adjustment
- Flush mounted for sleeker appearance
- 50 watt halogen sealed beam or 18 watt cool white LED
- Power consumption: 12V Halogen = 3.91 amps
 12V LED = 1.5 amps
 24V Halogen= 2.08 amps
 24V LED = .75 amps



MODEL NO.	DESCRIPTION	WT./PAIR IN LBS.
QL-FT	Complete light assemblies (2), white housings, 12 volt flood bulb, 70° wide, 30° high beam of light	9.15
QL-FT-24	Complete light assemblies (2), white housings, 24 volt flood bulb, 40° wide, 5° high beam of light	9.15
QL-FT-LED	Complete light assemblies (2), white housings, 9-32 volt flood bulb, 60° wide beam of light, 1,800 lumens	10.00



Barnegat Light[®] marine products

10 W. College Ave., P.O. Box 337, Yardley, PA 19067

www.BarnegatLt.com
 Phone: 215/493-2777
 or TOLL FREE 866-493-2777
 FAX: 215/493-1401
 or TOLL FREE FAX: 866-493-1401



MODEL QL-RV

RV LIGHTS

**12 VOLT ONLY
 HALOGEN
 9 TO 32 VOLT LED**



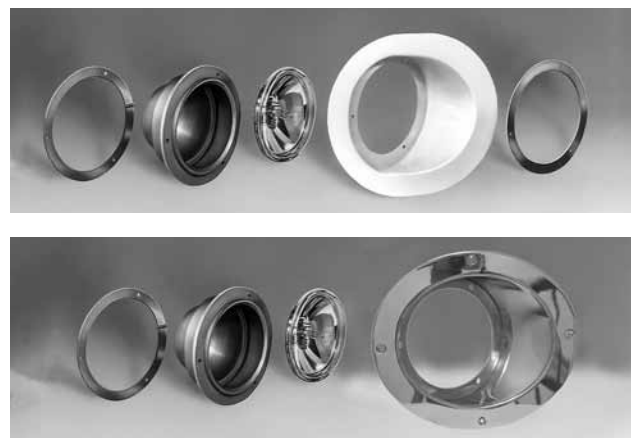
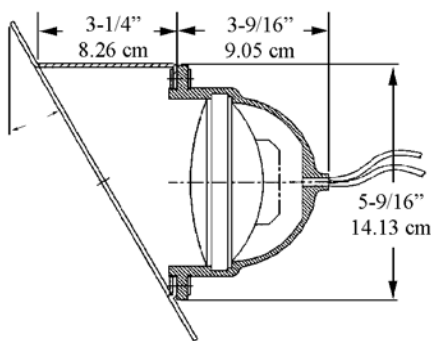
MODEL QL-SSRV

Simple design, easy installation, quality features.

- Neat tight fit - blends with contour of vehicle
- White housing easily painted to complement vehicle color or polished stainless steel
- 50 watt halogen sealed beam or 18 watt cool white LED
- Break-resistant, sealed beam lamps protected against shorts

Housing dimensions are 8-5/8" W x 7-3/4" H.

- Fast, simple installation
- Corrosion-proof, chip-resistant heavy-duty plastic or polished stainless steel
- Minimal battery drain
- Bulbs won't crack in freezing weather
- Power consumption: 12V Halogen = 3.91 amps
 12V LED = 1.5 amps
 24V LED = .75 amps



MODEL NO.	DESCRIPTION	WT./@ IN LBS.
QL-RV	Complete light assy, white hsgng, flood bulb, 70° W, 30° H beam of light	1.4
QL-SSRV	Complete light assy, stainless steel hsgng, flood bulb, 70° W, 30° H beam of light	4.3
QL-RV-LED	Complete light assy, white hsgng, flood bulb, 60° W beam of light, 1,800 lumens	1.9



Barnegat Light[®] marine products

10 W. College Ave., P.O. Box 337, Yardley, PA 19067

www.BarnegatLt.com
 Phone: 215/493-2777
 or TOLL FREE 866-493-2777
 FAX: 215/493-1401
 or TOLL FREE FAX: 866-493-1401

**MODEL
 QL-SPL-LED**



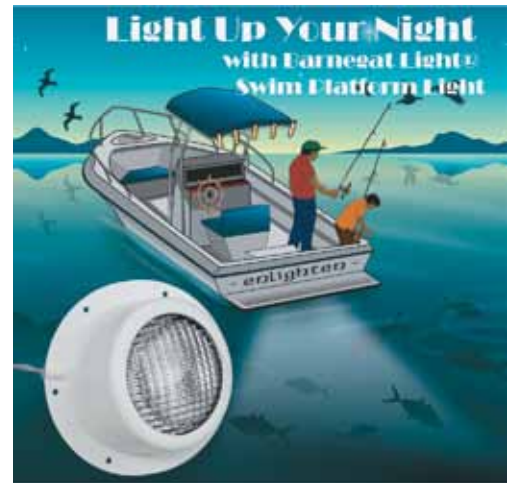
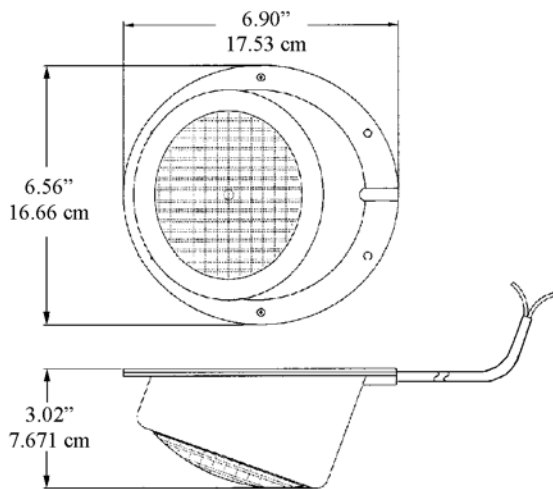
**LED SWIM
 PLATFORM
 LIGHT**

**9 TO 32
 VOLT**

PAT. NO.
 D 462,799

New light for mounting under swim platform. Light attracts marine life for viewing, fishing, or diving.

- UV stabilized ABS housing will take abuse of marine environment
- Internal components “potted” to prevent corrosion and two-part housing is then sealed closed
- Can be used for 12 or 24 volt applications
- Completely submersible
- 4-foot cable
- Solid state LEDs rated for 50,000 hours
- Ideal for waterfront property; can be mounted to a bulkhead or a piling
- 450 lumens of light and only draws 550mAmps @ 12 volts or 300mAmps @ 24 volts



MODEL NO.	DESCRIPTION	WT./@ IN LBS.
QL-SPL-LED	White LED swim platform light, 12 to 24 volt	2.75
QL-SPL-LED-B	Blue LED swim platform light, 12 to 24 volt	2.75



Barnegat Light[®] marine products

10 W. College Ave., P.O. Box 337, Yardley, PA 19067

www.BarnegatLt.com
 Phone: 215/493-2777
 or TOLL FREE 866-493-2777
 FAX: 215/493-1401
 or TOLL FREE FAX: 866-493-1401

**MODEL
 QL-SPL**



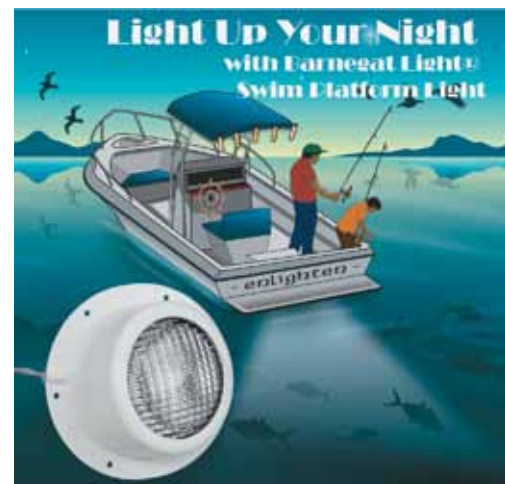
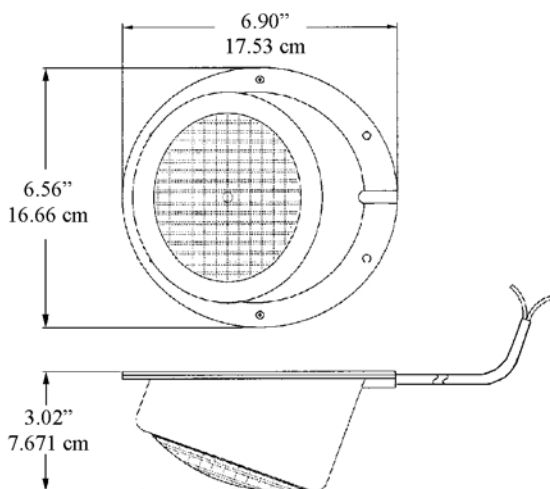
**SWIM
 PLATFORM
 LIGHT**

**12 OR 24
 VOLT**

PAT. NO.
 D 462,799

New light for mounting under swim platform. Light attracts marine life for viewing, fishing, or diving.

- UV stabilized ABS housing will take abuse of marine environment
- Internal components “potted” to prevent corrosion and two-part housing is then sealed closed
- Completely submersible
- 4-foot cable
- GE halogen flood lamp rated for 400 hours with a 4-amp (12 V) or 2-amp (24 V) draw
- 50 watt halogen sealed beam



MODEL NO.	DESCRIPTION	WT./@ IN LBS.
QL-SPL	Swim platform light, 12 volt	2.5
QL-SPL-24	Swim platform light, 24 volt	2.5



Barnegat Light[®] marine products

10 W. College Ave., P.O. Box 337, Yardley, PA 19067

www.BarnegatLt.com
 Phone: 215/493-2777
 or TOLL FREE 866-493-2777
 FAX: 215/493-1401
 or TOLL FREE FAX: 866-493-1401

**MODEL
 QL-UWL**

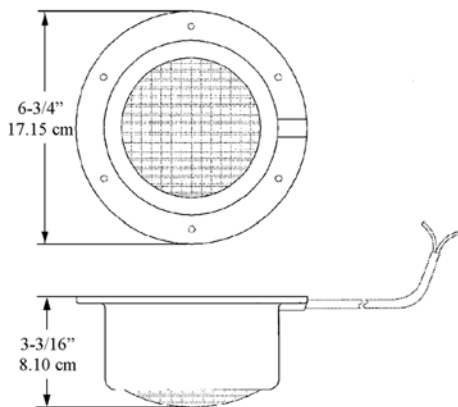


**UNDER
 WATER
 LIGHT**

**12 OR 24
 VOLT**

New light for mounting above or below water. Light attracts marine life for viewing, fishing, or diving.

- UV stabilized ABS housing will take abuse of marine environment
- Internal components “potted” to prevent corrosion and two-part housing is then sealed closed
- Completely submersible
- Ideal for waterfront property; can be mounted to a bulkhead or a piling
- 4-foot cable
- GE halogen flood bulb rated for 400 hours with a 4-amp (12 V) or 2-amp (24 V) draw
- 50 watt halogen sealed beam
- Solid state LED’s rated for 50,000 hours
- LED delivers 450 lumens and draws 550m amps @ 12 volts or 300 m amps @ 24 volts



MODEL NO.	DESCRIPTION	WT./@ IN LBS.
QL-UWL	Under water light, 12 volt bulb	2.8
QL-UWL-24	Under water light, 24 volt bulb	2.8
QL-UWL-LED	White LED Under water light, 9-32 volt bulb	3.1



Barnegat Light[®] marine products

10 W. College Ave., P.O. Box 337, Yardley, PA 19067

www.BarnegatLt.com
 Phone: 215/493-2777
 or TOLL FREE 866-493-2777
 FAX: 215/493-1401
 or TOLL FREE FAX: 866-493-1401

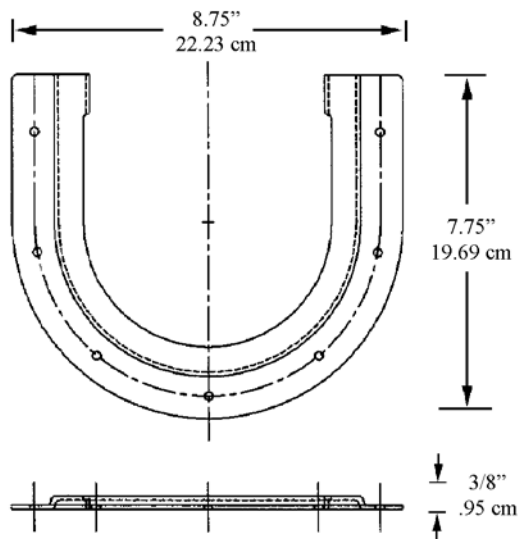
**MODEL
 QL-SPL-MB**



**SWIM
 PLATFORM LIGHT
 AND
 UNDER WATER
 LIGHT
 MOUNTING
 BRACKET**

A practical mounting bracket allows swim platform or under water light to be easily removed.

- Bracket mounts directly to boat
- UV stabilized - unaffected by sunlight
- Self-locking tabs hold light securely
- Made of high-impact ABS



Swim Platform Light in Mounting Bracket

MODEL NO.	DESCRIPTION	WT./@ IN LBS.
QL-SPL-MB	Swim platform light mounting bracket	.3



Barnegat Light® marine products

10 W. College Ave., P.O. Box 337, Yardley, PA 19067

www.BarnegatLt.com
 Phone: 215/493-2777
 or TOLL FREE 866-493-2777
 FAX: 215/493-1401
 or TOLL FREE FAX: 866-493-1401

**MODEL
 QL-RAL**

**AVAILABLE
 WITH
 RED LENS!**

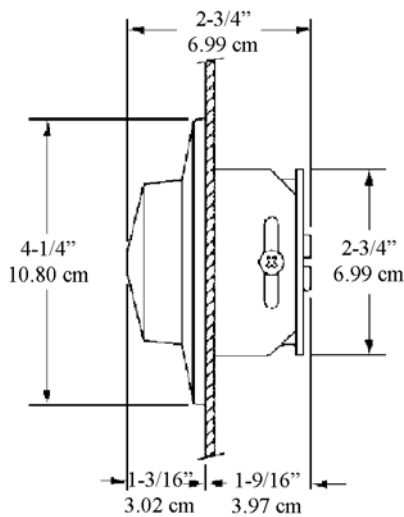


**HI-INTENSITY
 COURTESY
 LIGHT**

**12 VOLT
 ONLY**

Whenever you need illumination, the high-intensity courtesy lights provide it. Water resistant for exterior or interior application with an attractive style that blends anywhere.

- Low-profile, flush mounted
- 21 candle power bulb provides 65 candle power light at 7-1/2 foot height
- Unaffected by ultra-violet light or harsh weather
- Versatile - can be installed almost anywhere
- Designed for low power consumption; 12 volt, 1.4 amps, 16.8 watts
- Completely non-corrosive composite construction



MODEL NO.	DESCRIPTION	WT./@ IN LBS.
QL-RAL	Complete assembly, clear lens, white housing	.30
QL-RAL-R	Complete assembly, red lens, white housing	.30



Barnegat Light[®] marine products

10 W. College Ave., P.O. Box 337, Yardley, PA 19067

www.BarnegatLt.com
 Phone: 215/493-2777
 or TOLL FREE 866-493-2777
 FAX: 215/493-1401
 or TOLL FREE FAX: 866-493-1401

**MODEL
 QL-LP-12**

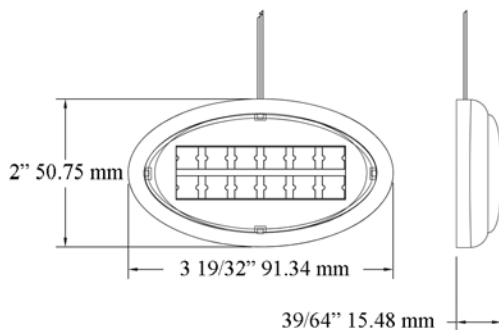


**LOW PROFILE LED
 INTERIOR LIGHT**

**12
 VOLT**

Our low profile LED lamps are an attractive, energy efficient, no maintenance solution for a variety of interior lighting applications.

- Economical LED Interior light with a clear lens and 6" wire leads
- White housing and white LEDs
- Low Profile surface mount design allows illumination in tight areas
- Life expectancy 100,000 hrs.
- Illuminate walkways, closets, galley, or head area
- Low power consumption: 84 watts only, using 70ma
- Perfect to use as a night light
- Easy installation



MODEL NO.	DESCRIPTION	WT./@ IN LBS.
QL-LP-12	Complete assembly, white LED, white housing with lens	.10



Barnegat Light[®] marine products

10 W. College Ave., P.O. Box 337, Yardley, PA 19067

www.BarnegatLt.com
 Phone: 215/493-2777
 or TOLL FREE 866-493-2777
 FAX: 215/493-1401
 or TOLL FREE FAX: 866-493-1401



LED COURTESY LIGHT

12 VOLT



A low profile versatile light made of high-impact polycarbonate. Water resistant for exterior or interior applications.

- All LED courtesy lights come with a clear lens
- Available in 12 volt
- Power consumption is 0.1 amps
- No polarity to worry about with indiscriminate diodes
- There are 15 LEDs in the lights. Combo colors are 9 white and 6 red
- Life of LEDs is approximately 50,000 hours
- White LEDs are 50 lumens, blue LEDs are 30 lumens - combo LEDs are 40 lumens
- Custom designed reflector to enhance light output



See page 17 for tension mount dimensions and page 18 for the standard courtesy light dimensions.

MODEL NO.	DESCRIPTION	WT./@ IN LBS.
QL-CL-LED-W	Complete assembly, white LED, white housing	0.4
QL-CL-LED-B	Complete assembly, blue LED, white housing	0.4
QL-CL-LED-WR	Complete assembly, white & red LED, white housing	0.4
QL-CL-CH-LED-W	Complete assembly, white LED, chrome housing	0.4
QL-CL-CH-LED-B	Complete assembly, blue LED, chrome housing	0.4
QL-CL-CH-LED-WR	Complete assembly, white & red LED, chrome housing	0.4
QL-CL-TM-LED-W	Complete assembly, white LED, tension mount housing	0.4
QL-CL-TM-LED-B	Complete assembly, blue LED, tension mount housing	0.4
QL-CL-TM-LED-WR	Complete assembly, white & red LED, tension mount housing	0.4



Barnegat Light[®] marine products

10 W. College Ave., P.O. Box 337, Yardley, PA 19067

www.BarnegatLt.com
 Phone: 215/493-2777
 or TOLL FREE 866-493-2777
 FAX: 215/493-1401
 or TOLL FREE FAX: 866-493-1401



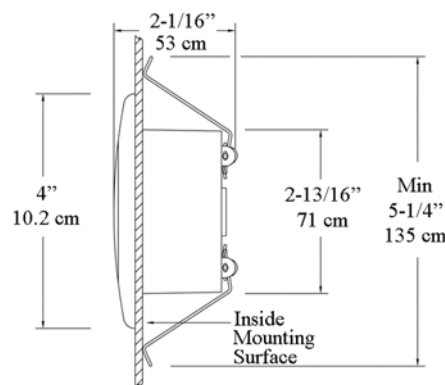
TENSION MOUNTED COURTESY LIGHT

12 OR 24 VOLT



Our Tension Mount Courtesy Light uses a stainless steel spring for mounting. Water resistant for exterior or interior applications.

- No mounting holes
- Low-profile flush mount
- Wide caulking flange
- Low power consumption; 12V = .74 amps, 24V = .42 amps
- Internal “O” ring insures water-tight seal
- Made of high-impact polycarbonate
- Minimal battery drain
- Twist lock base for easy bulb replacement



MODEL NO.	DESCRIPTION	WT./@ IN LBS.
QL-CL-TM-C	Complete assembly, clear lens, white housing, 12 volt	.35
QL-CL-TM-F	Complete assembly, frosted lens, white housing, 12 volt	.35
QL-CL-TM-C-24	Complete assembly, clear lens, white housing, 24 volt	.35
QL-CL-TM-F-24	Complete assembly, frosted lens, white housing, 24 volt	.35

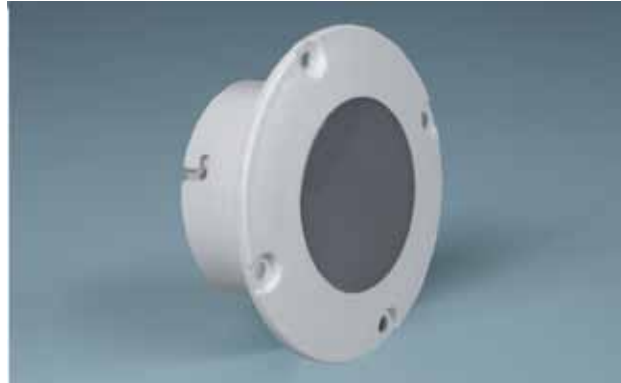


Barnegat Light[®] marine products

10 W. College Ave., P.O. Box 337, Yardley, PA 19067

www.BarnegatLt.com
 Phone: 215/493-2777
 or TOLL FREE 866-493-2777
 FAX: 215/493-1401
 or TOLL FREE FAX: 866-493-1401

**MODEL
 QL-CL**



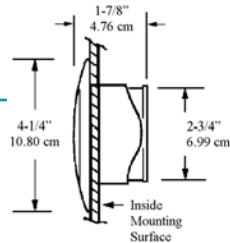
**COURTESY
 LIGHT**

**12 OR 24
 VOLT**

PAT. NO.
 D 469,896 S

A low profile, versatile light made of high-impact polycarbonate. Available in 12 or 24 volts.

- Water resistant, with wide caulking flange for assured water tightness
- Low power consumption: 12V = .74 amps
 24V = .42 amps
- Twist-lock base for fast bulb replacement
- Convex lens molded into flange provides maximum strength for water proof installation
- Internal "O" ring for water-tight seal
- 30% more light output with internal reflector



MODEL NO.	DESCRIPTION	WT./@ IN LBS.
QL-CL-F-01	Light with frosted lens, white housing, 12 volt	.30
QL-CL-C	Light with clear lens, white housing, 12 volt	.30
QL-CLB-C	Light with clear lens, black housing, 12 volt	.30
QL-CLB-F	Light with frosted lens, black housing, 12 volt	.30
QL-CL-R	Light with red lens, white housing, 12 volt	.30
QL-CLB-R	Light with red lens, black housing, 12 volt	.30
QL-CL-F-24-01	Light with frosted lens, white housing, 24 volt	.30
QL-CL-C-24	Light with clear lens, white housing, 24 volt	.30
QL-CLB-F-24	Light with frosted lens, black housing, 24 volt	.30
QL-CL-R-24	Light with red lens, white housing, 24 volt	.30
QL-CLB-R-24	Light with red lens, black housing, 24 volt	.30



Barnegat Light[®] marine products

10 W. College Ave., P.O. Box 337, Yardley, PA 19067

www.BarnegatLt.com
 Phone: 215/493-2777
 or TOLL FREE 866-493-2777
 FAX: 215/493-1401
 or TOLL FREE FAX: 866-493-1401

**MODEL
 QL-CL-CH-F**

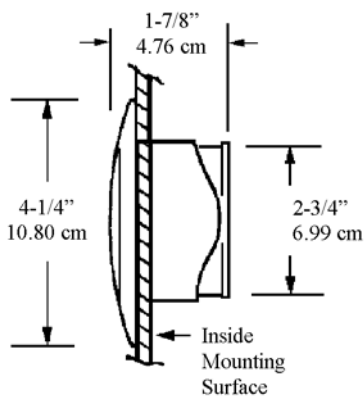


**CHROME PLATED
 COURTESY
 LIGHT**

**12 OR 24
 VOLT**

Same as our popular Courtesy Light with a bright chrome plated finish. This versatile light is made of high-impact polycarbonate and ABS. Available in 12 or 24 volts.

- Wide caulking flange for assured water tightness
- Convex lens molded into flange provides maximum strength for water proof installation
- Twist lock base for fast bulb replacement
- 30% more light output with internal reflector
- Low power consumption: 12V = .74 amps
24V = .42 amps
- Unaffected by ultraviolet sun rays or harsh weather; non-corrosive composite construction
- Internal "O" ring for water tight seal



MODEL NO.	DESCRIPTION	WT./@ IN LBS.
QL-CL-CH-F	Light with frosted lens, chrome housing, 12 volt	.30
QL-CL-CH-F-24	Light with frosted lens, chrome housing, 24 volt	.30



Barnegat Light[®] marine products

10 W. College Ave., P.O. Box 337, Yardley, PA 19067

www.BarnegatLt.com
 Phone: 215/493-2777
 or TOLL FREE 866-493-2777
 FAX: 215/493-1401
 or TOLL FREE FAX: 866-493-1401

**MODEL
 QL-CPW**

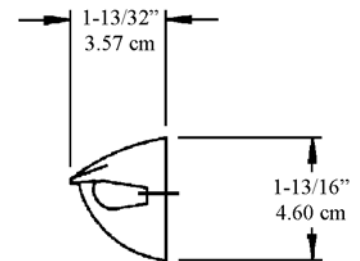
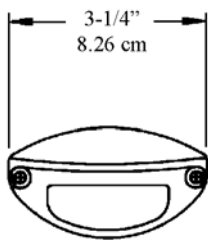


**COCKPIT
 LIGHT**

**12 OR 24
 VOLT**

Now light up all dim areas with Barnegat Light Cockpit Lights. Mounts anywhere you need additional light and is especially useful in companionway and around stairs.

- Installation is quick and easy
- Made from high-impact polycarbonate
- UV stabilized - unaffected by sunlight
- “O” ring sealed to ensure water tightness
- Available in white or black with clear or red lens
- Electrical components are stainless steel
- Low power consumption: 12V = .52 amps
 24V = .2 amps



MODEL NO.	DESCRIPTION	WT./@ IN LBS.
QL-CPW	Light with white housing, 12 volt	.10
QL-CPB	Light with black housing, 12 volt	.10
QL-CPW-R	Light with white housing, red lens, 12 volt	.10
QL-CPB-R	Light with black housing, red lens, 12 volt	.10
QL-CPW-24	Light with white housing, 24 volt	.10
QL-CPB-24	Light with black housing, 24 volt	.10
QL-CPW-R-24	Light with white housing, red lens, 24 volt	.10



Barnegat Light[®] marine products

10 W. College Ave., P.O. Box 337, Yardley, PA 19067

www.BarnegatLt.com
 Phone: 215/493-2777
 or TOLL FREE 866-493-2777
 FAX: 215/493-1401
 or TOLL FREE FAX: 866-493-1401

**MODEL
 QL-CP-CH**

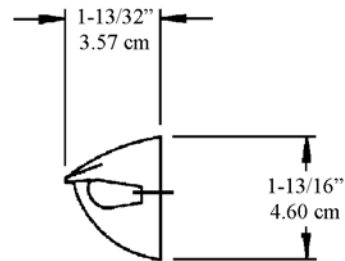
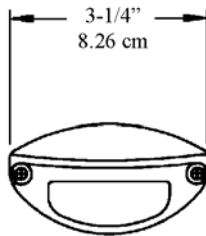


**CHROME PLATED
 COCKPIT
 LIGHT**

**12 OR 24
 VOLT**

Same as our popular Cockpit Light with a bright chrome plated finish. Mounts anywhere you need additional light and is especially useful in companionway and around stairs.

- Installation is quick and easy
- Made from high-impact ABS/polycarbonate
- UV stabilized - unaffected by sunlight
- “O” ring sealed to ensure water tightness
- Available with a clear lens
- Electrical components are stainless steel
- Low power consumption: 12V = .52 amps
24V = .2 amps



MODEL NO.	DESCRIPTION	WT./@ IN LBS.
QL-CP-CH	Light with chrome housing, 12 volt	.10
QL-CP-CH-24	Light with chrome housing, 24 volt	.10



Barnegat Light[®] marine products

10 W. College Ave., P.O. Box 337, Yardley, PA 19067

www.BarnegatLt.com
 Phone: 215/493-2777
 or TOLL FREE 866-493-2777
 FAX: 215/493-1401
 or TOLL FREE FAX: 866-493-1401

**MODEL
 QL-CP-LED**

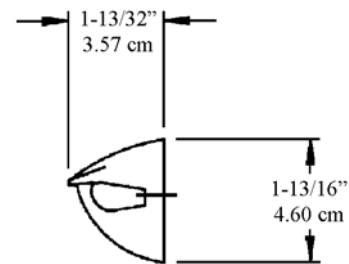
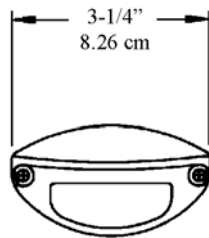


**LED STYLE
 COCKPIT
 LIGHTS**

**12 VOLT
 ONLY**

Our popular cockpit lights are now available with LED circuitry, which are cost effective due to long service life, low power consumption and low heat output.

- Longer life: approximately 50,000 hours
- Low heat; no filament to burn out
- Completely sealed; waterproof and dust proof
- Available in 12 volt
- Shock protected: resistant to shock and vibration
- Low power consumption; less than .10 amp
- No bulb to change



MODEL NO.	DESCRIPTION	WT./@ IN LBS.
QL-CP-WLED	Light with white housing, white LED's, 12 volt	.10
QL-CP-RLED	Light with white housing, red LED's, 12 volt	.10
QL-CP-WRLED	Light with white housing, red & white LED's, 12 volt	.10
QL-CP-BLED	Light with white housing, blue LED's, 12 volt	.10



Barnegat Light[®] marine products

10 W. College Ave., P.O. Box 337, Yardley, PA 19067

www.BarnegatLt.com
 Phone: 215/493-2777
 or TOLL FREE 866-493-2777
 FAX: 215/493-1401
 or TOLL FREE FAX: 866-493-1401



MODEL QL-DL

DOMELIGHT AND OPTIONAL MOUNTING BRACKET

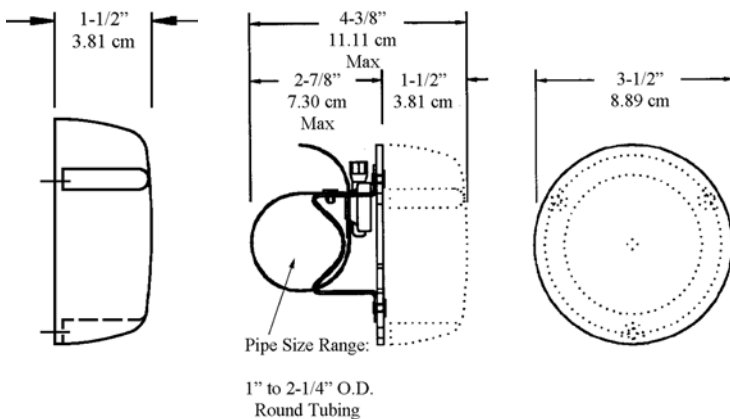
12 VOLT ONLY



MODEL QL-DL-MB

The dome light is adaptable for topside as well as below deck. Completely sealed to assure no water gets in.

- Made of heavy-duty polycarbonate
- Unaffected by ultraviolet sun rays or harsh weather
- Will not corrode
- “O” ring seals out moisture
- Designed for low power usage and minimum battery drain
- Available with clear, frosted, or red lens
- QL-DL-MB may be attached to 1” to 2-1/4” O.D. round tubing
- Low power consumption: 12V = .97 amps



MODEL NO.	DESCRIPTION	WT./@ IN LBS.
QL-DL-C	Complete assembly, clear lens, white housing	.25
QL-DL-F	Complete assembly, frosted lens, white housing	.25
QL-DL-R	Complete assembly, red lens, white housing	.25
QL-DL-MB	Mounting bracket only - dome light must be ordered separately	.25



Barnegat Light[®] marine products

10 W. College Ave., P.O. Box 337, Yardley, PA 19067

www.BarnegatLt.com
 Phone: 215/493-2777
 or TOLL FREE 866-493-2777
 FAX: 215/493-1401
 or TOLL FREE FAX: 866-493-1401

MODEL QL-WPL-K



LED WATERFRONT PROPERTY LIGHT

Accent your waterfront property with our LED light kit

- High output LED lights can be mounted in or out of water
- Transformer has a built in timer
- Able to accommodate up to 6 LED lights
- Energy conserving LED technology
- Simple installation
- Lights come standard with 20 ft. of wire



QL-WPL-MB

MODEL NO.	DESCRIPTION	WT./@ IN LBS.
QL-WPL-K	Complete kit - includes 2 white lights	9.1
QL-WPL-K-B	Complete kit - includes 2 blue lights	9.1
QL-WPL	1 white LED light	3.4
QL-WPL-B	1 blue LED light	3.4
QL-WPL-MB	Mounting bracket for QL-WPL	1.1
8205-015-105	Junction box	0.1

Application Photos



QL-LP-12



QL-LP-12



QL-LP-12

Application Photos



QL-CL-TM-LED-W



QL-WPL-K



QL-WPL-K

FITS LIGHT MODEL NO.	BULB VOLTAGE AND WATTAGE	LAMP	MODEL NO.	WT./@ IN LBS.
QL-3294-___	12.8 volts, 50 watts, 3.91 amps, 100,000 C.P., spot	H7604-GE or	8500-000-105	.45
	12.8 volts, 50 watts, 3.91 amps, 15,000 C.P., flood	H7614-GE	8500-000-110	.45
	24.0 volts, 50 watts, 2.08 amps, flood	4502-GE	8500-000-140	.45
	9-32 volts, 1,800 lumens 1.5A @ 12V LED flood bulb	White LED	8500-000-160	.85
QL-60-___	12.8 volts, 50 watts, 3.91 amps, 100,000 C.P., spot	H7604-GE or	8500-000-105	.45
	12.8 volts, 50 watts, 3.91 amps, 15,000 C.P., flood	H7614-GE	8500-000-110	.45
	24.0 volts, 50 watts, 2.08 amps, flood	4502-GE	8500-000-140	.45
	9-32 volts, 1,800 lumens 1.5A @ 12V LED flood bulb	White LED	8500-000-160	.85
QL-FT	12.8 volts, 50 watts, 3.91 amps, 15,000 C.P., flood	H7614-GE or	8500-000-110	.45
	24.0 volts, 50 watts, 2.08 amps, flood	4502-GE	8500-000-140	.45
	9-32 volts, 1,800 lumens 1.5A @ 12V LED flood bulb	White LED	8500-000-160	.85
QL-MHL	12.8 volts, 55 watts, 4.3 amps, 40,000 C.P., halogen	H-3	8012-105-108	.02
QL-RV	12.8 volts, 50 watts, 3.91 amps, 15,000 C.P., flood	H7614-GE	8500-000-110	.45
QL-SSRV	12.8 volts, 50 watts, 3.91 amps, 15,000 C.P., flood	H7614-GE	8500-000-110	.45
	9-32 volts, 1,800 lumens 1.5A @ 12V LED flood bulb	White LED	8500-000-160	.85

FITS LIGHT MODEL NO.	BULB VOLTAGE AND WATTAGE	LAMP	MODEL NO.	WT./@ IN LBS.
QL-CL-___	13.5 volts, 6 candle power, 10 watts, .74 amps	212-2-GE or	8030-000-105	.02
	24 volts, 6 candle power, 10 watts, .42 amps	OS-2050	8030-000-110	.02
	14.8 volts, 19 lumens, 80 mA LED bulbs	Blue LED	8500-000-163	.02
	14.8 volts, 19 lumens, 85 mA LED bulbs	Red LED	8500-000-165	.02
	14.8 volts, 19 lumens, 75mA LED bulbs	White LED	8500-000-167	.02
QL-DL-___	12.8 volts, 12 candle power, 12.5 watts, .97 amps	211-2-GE only	8035-000-105	.02
QL-CP-___	13.5 volts, 4 candle power, 7 watts, .52 amps	563-GE only	8040-000-105	.02
	24 volts, 3.2 candle power, 5 watts, .2 amps	RLB-2405X	8040-000-117	.02
QL-RAL-___	12 volts, 21 candle power, 18 watts, 1.4 amps	921-GE only	8500-000-150	.02
QL-UBIL-___	12 volts, 20 watts, 1.6 amps, halogen	G-4	8042-000-113	.02
	12 volts, 20 watts, 1.6 amps, xenon	G-4	8042-000-115	.02

CLEANING NOTE:

Barnegat lights should only be washed with mild soap and water.

COVER PHOTOS: Courtesy of Cobalt Boats



Barnegat
Light® marine products

10 W. College Ave., P.O. Box 337, Yardley, PA 19067 • 215/493-2777

FAX: 215/493-1401

www.BarnegatLt.com

TOLL FREE 866-493-2777

TOLL FREE FAX: 866-493-1401